

Icom IC PS-125 Service Manual

Icom
IC PS-125
Service Manual

Authors: Lawrence Young, K4LXV, Dick Knol PA3DUV

Icom IC PS-125 Service Manual

Brief operational description Of the Icom PS-125 power supply

A. Primary DC supply

1. AC input voltage is applied through the AC switch, to input fuse F-1 and filters IF1, IF2, and associated capacitors C1-5, C24 & C25, through R-2 to the primary rectifier array D-1. Triac Q-1 which is connected across R-2 conducts once the switching supply starts, thus limiting the voltage drop across R-2. A movable jumper from D-1 to the junction of C-9 & C-10 configures the primary supply for 110 volt operation only. **For 220 volt operation this jumper is not connected.** The +310 volt DC output voltage of D1 is connected through L2, & D2 to series connected electrolytic capacitors C-9 & C-10 which filter the DC output voltage of D-1.

B. Switching supply

1. The output of the primary 310V DC supply is now applied to series connected power FETs Q4 & Q5 and the primary of high frequency transformer T-1. The gates of Q4 & Q5 are driven by Switch mode controller IC, HC-1. Upon initial power application, Q4 or Q5 will conduct first, thus causing an ac output voltage on all secondary windings of T-1. The voltage of T-1 pins 7 & 8 is rectified by D-8, regulated by D-9 & Q-6 and applied to HC-1 pin 12(vcc) to operate HC-1. The voltage from T-1 pins 9 & 10 is rectified by D23, & filtered by C40 to supply voltage for all IC's and transistors except HC-1. HC-1 now begins operating and alternately drives Q4 & Q5 at a high AC frequency.

C. Secondary DC supply

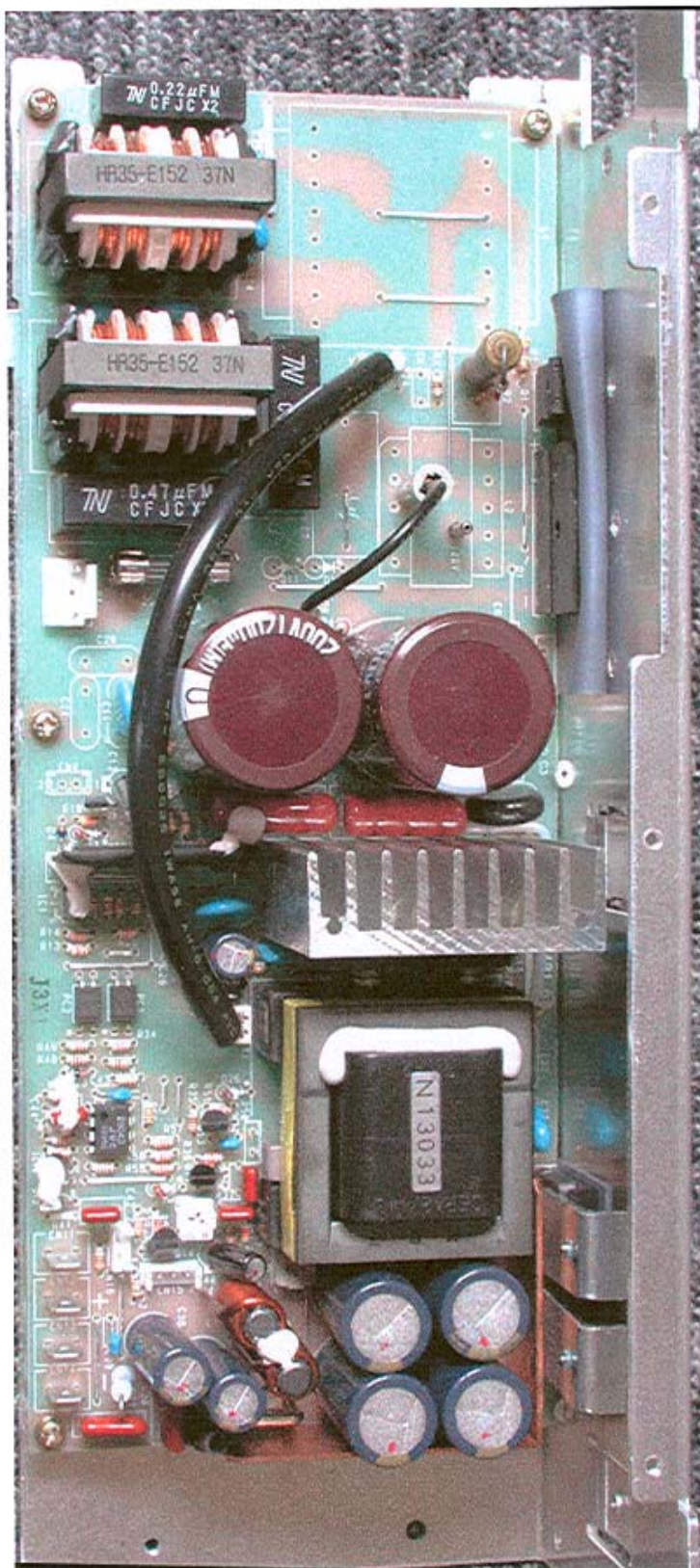
1. T-1 secondary windings pins 12 & 13, 16 & 17, 14 & 15, 10 & 11 and fast recovery diodes B 11, 12, & 13, 14, along with electrolytic capacitors C31, 32, 33, 34, & 35 form the 25 amp 13.8 volt DC output supply. The output is applied to the output terminals through L-12 & L-13.
2. The 13.8Volt DC output is sensed via R-58 to the base of Q-11, the collector of which drives opto- isolator PC-1. Adjustment of VR-11 adjusts the base voltage of Q-11 thus establishing via HC-1, the power supply DC output voltage.
3. IC-11 pins 1, 2, & 3 sense the voltage drop across R-31 & R-32 via VR-12 and R-44, to establish via the adjustment of VR-12, the maximum output current limit.
4. Zener diode D-26, Q13, R-48, R-49, PC-2 and associated components detect an over voltage condition of the 13.8 volt supply output.
5. IC-11, pins 5, 6, & 7, Q-14 & associated components sense temperature rise inside the supply and turn on the fan as appropriate.

Icom IC PS-125 Service Manual

PS-125 parts list

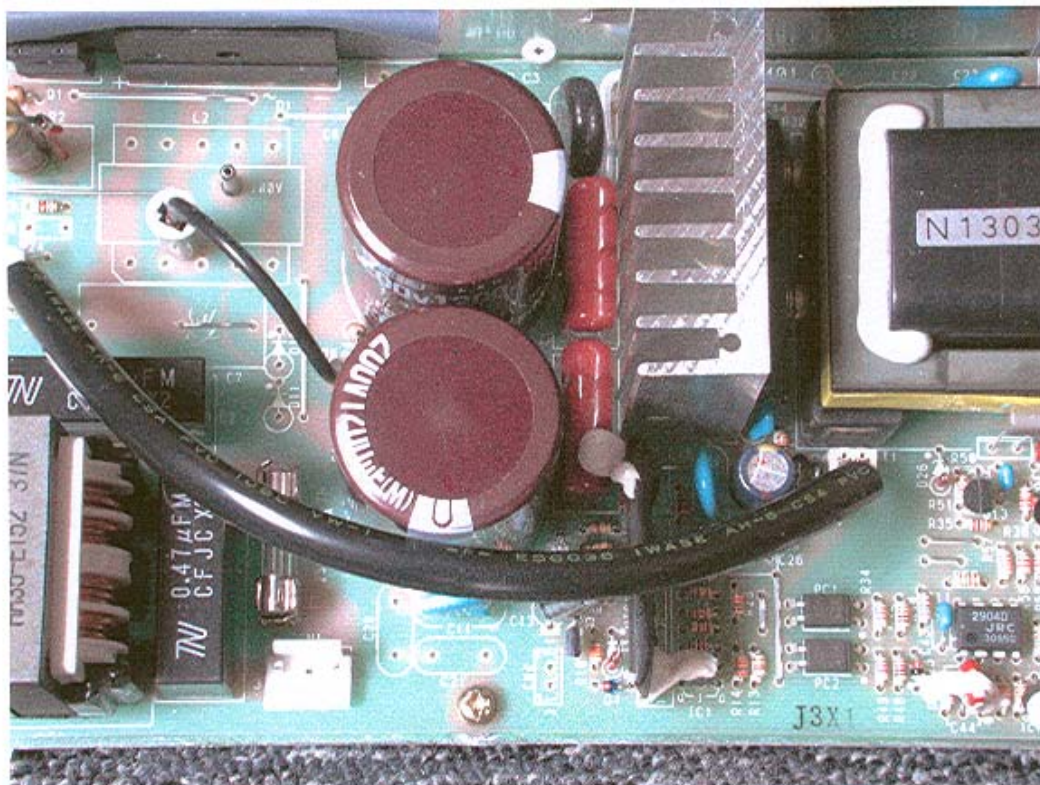
Item	Description	Qty ea.
Q1	TM1641S-L Triac	1
Q2	2SC4002 NPN transistor	1
Q3, 12	DTC 114E digital transistor	2
Q4, 5	FS22SM-9 Power Mosfet transistor	2
Q6	2SC3246	1
Q13	2SA733 pnp transistor	1
Q11,14	2SC945 npn transistor	2
HC-1	WB 2013A switching controller IC	1
IC 1	S80745	1
IC 11	LM2904 dip op amp	1
IC 12	431-	1
PC 1, PC 2	PS2561 opto isolators	2
D1	RBV1506 Bridge rectifier	1
D2,3,25,26	15 volt ½ w zener diode	4
D4,5,6	Iss 270A diode	3
D10,11	Diode	2
D23	CRA91-D2 diode	1
D24	7 volt zener diode	1
B11,12,13,14	D2ZKC060N04 fast recovery power diode	2
Fuse F1	10A (120V) 5A (230V)	1
R2	6.5 ohm power resistor with build in fuse	1

Icom IC PS-125 Service Manual



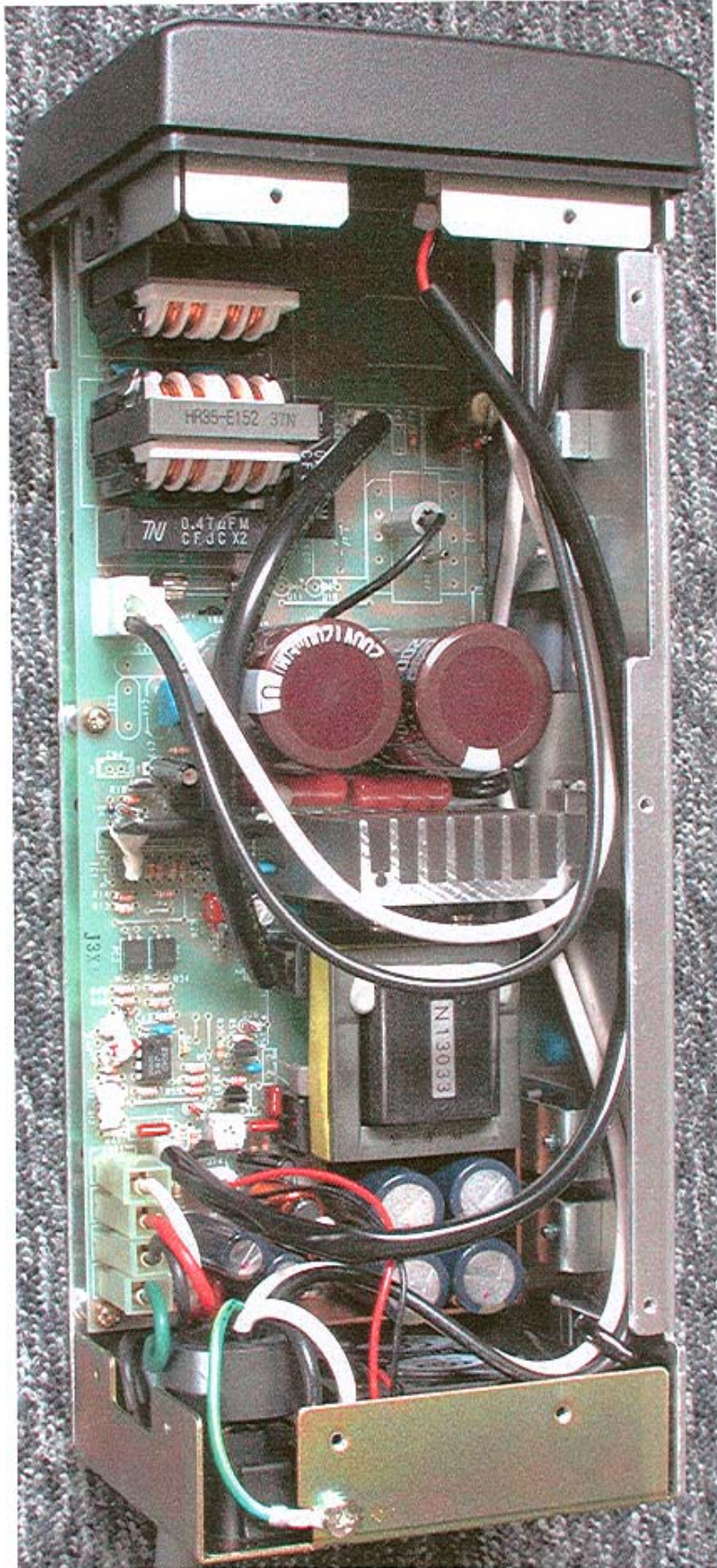
Authors: Lawrence Young, K4LXV, Dick Knol PA3DUV

Icom IC PS-125 Service Manual

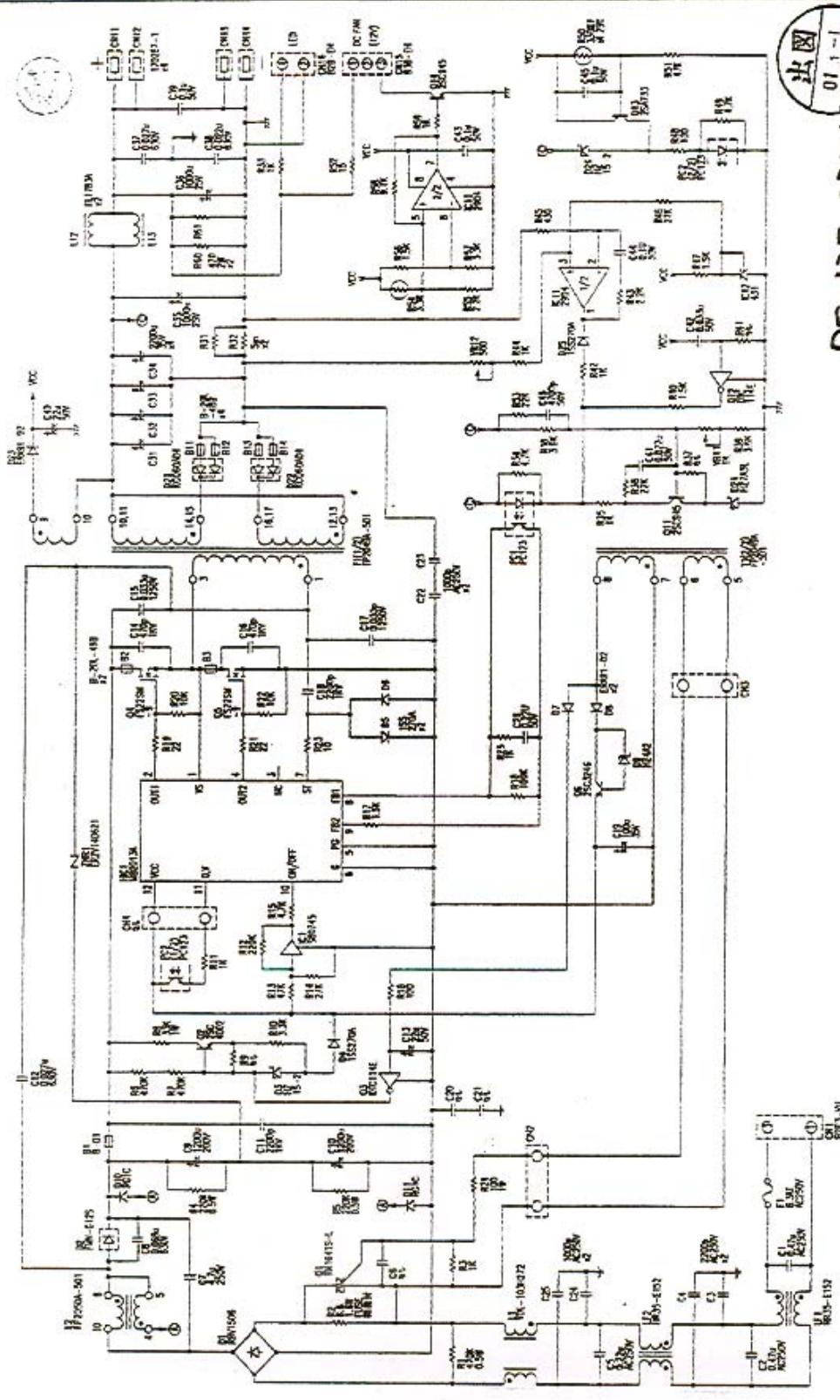


110-220 V jumper detail

Icom IC PS-125 Service Manual



Authors: Lawrence Young, K4LXV, Dick Knol PA3DUV



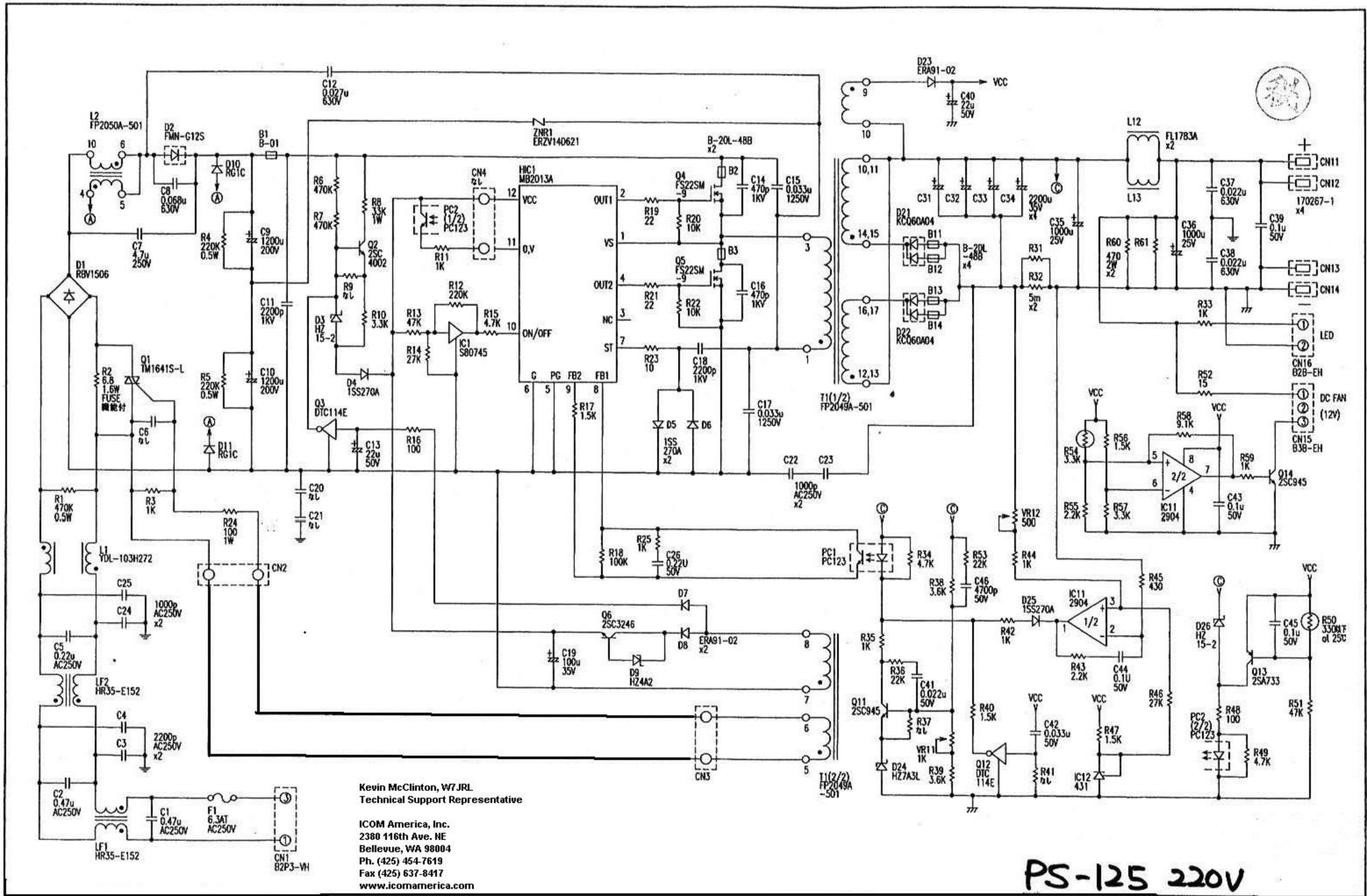
出図
011-1
無線工業所
技術課

PS-125 220V

回路図
回路

FP2050A-201 (1/1)

仕様 (SPEC.)	2001.01.15
設計者 (DESIGNER)	無線工業所
検査者 (CHECKER)	無線工業所
承認者 (APPROVED)	無線工業所
申請 (APPROVAL)	無線工業所
検査 (CHECKED)	無線工業所
承認 (APPROVED)	無線工業所
検査 (CHECKED)	無線工業所
承認 (APPROVED)	無線工業所
検査 (CHECKED)	無線工業所
承認 (APPROVED)	無線工業所
検査 (CHECKED)	無線工業所
承認 (APPROVED)	無線工業所



Kevin McClinton, W7JRL
 Technical Support Representative

ICOM America, Inc.
 2380 116th Ave. NE
 Bellevue, WA 98004
 Ph. (425) 454-7619
 Fax (425) 637-8417
 www.icomamerica.com

PS-125 220V