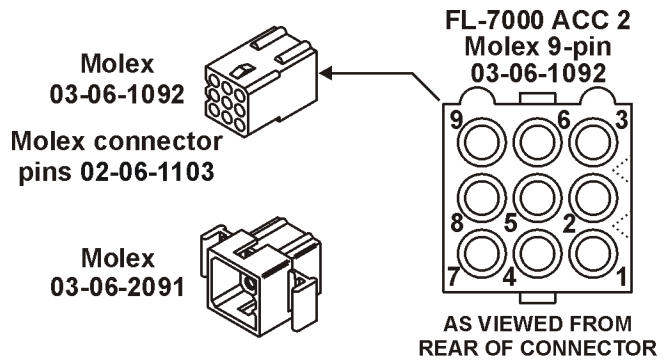
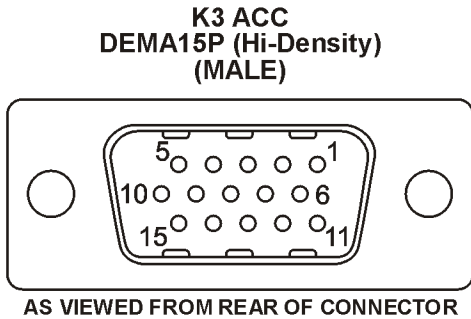


K3-to-Yaesu FL-7000 HF Amp Inter-wiring

NØSS ver. 1.1 25 August 2009



**K3
DE-15
Hi-Density**

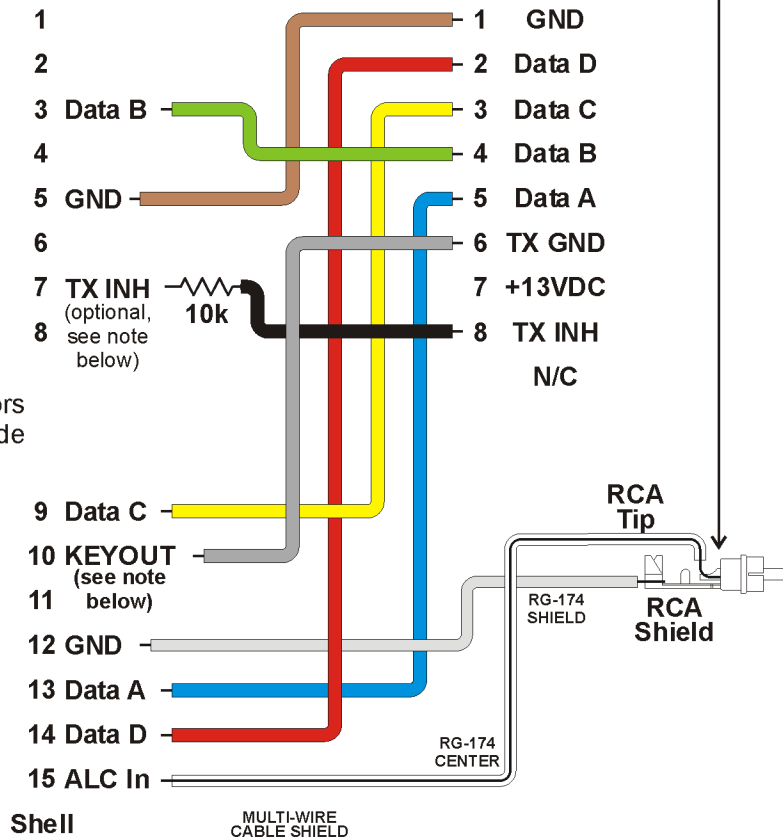
**Wire
Color**

**FL-7000
ACC 2
9-pin Molex
03-06-1092**

**FL-7000
ALC
(see note below)**

Note: In the K3, pins 5 & 12 (GND) are internally connected and grounded through L4, a 100uH RFC.

See last 'note' (below) regarding the color coding of wires shown in this illustration. Colors may match cables made by Yaesu for FL-7000 to FT-1K, etc.



KEYOUT (K3 ACC pin 10) should sink no more than 10mA of current to ground. If you must key >10mA of current, use the separate **KEY OUT** jack on the rear of the K3.

ALC is NOT RECOMMENDED by Elecraft. Inclusion of this control line is left up to the user.

TX INHibit is generally NOT REQUIRED, so inclusion of this control line is left up to the user. If this control line is included, but not connected on one end. BE SURE to insulate that end of the wire from shorting to other nearby connections or terminals.

If you have a Yaesu FL-7000-to-FT-1000MP cable and wish to modify it for hooking up to the K3, remove the FT-1000MP plug and make a list showing color coding from each pin. In two different cables, the color coding was found to be the same. From the FL-7000 circuit diagram you can label each pin and draw up a list for connecting to the K3. You only need to connect six (6) of the wires as follows to a 15-pin ACC connector: - Thanks Vidi, ZS1EL